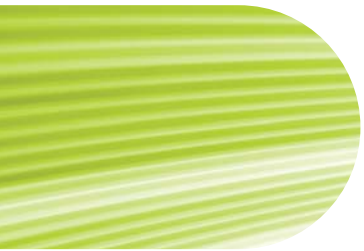


Loadline M Series

Circuit Protection Devices





Dorman Smith Switchgear Limited

With over 130 years of experience in switchgear design and production Dorman Smith Switchgear Limited continues to provide high quality equipment for low-voltage electrical distribution and circuit protection.

Our product range begins with single-pole and neutral distribution board systems and continues up to custom designed, factory built low-voltage electrical switchboards for a broad range of commercial, industrial and retrofit applications.

We continue to build on our extensive technical knowledge and awareness of customer and market demands, operating conditions and current regulations.

This breadth of experience supports the development and manufacturing techniques of our electrical products to exceed the industry standards.



Index

Content	Page No
MV Frame Switch Disconnect	2
MS Frame Miniature Circuit Breaker	4
MT Frame Miniature Circuit Breaker	7
MT Frame High Current MCBs	10
Accessories for MCBs	12
ME Frame Residual Current Circuit Breakers	13
MR Frame Residual Circuit Breakers with Overload	17
Characteristic Curves	21

Technical Data

- Available
- Not Available

Product Name	Modular Switch Disconnecter
Frame	MV Frame
Standards	EN/IEC 60947-3
Pole	1P, 2P, 3P, 4P
Rated Operational Current Ie	16, 20, 25, 32, 40, 50, 63, 80, 100, 125A
Rated short-time withstand current Icw (kA)	12Ie, 1s
Rated short-time making capacity Icm (A)	20Ie, 1s
Rated insulation voltage Ui (V)	690
Rated Impulse withstand voltage, Uimp (V)	6000V
Rated voltage Ue (V)	
AC single pole Ue	240
AC multi-pole Ue	415
Frequency Hz	50/60
Utilization category	AC-22A
Accessories	
Mechanical endurance	10000
Electrical endurance	1500
Protection degree	IP20
Ambient Temperature	
Operating Temperature °C	-25...+50, Max 95% Humidity
Storage Temperature °C	-40...+70
Terminal Type	Lug type and Pin type
Altitude (Meters)	Max, 2000
Installation - DIN-rail Mounting (EN 50022)	Mounting on 35mm DIN rail
Terminal Size mm ²	Cables up to 50mm ²

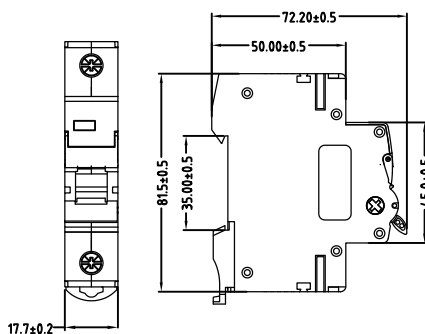
Switch Disconnecter

Product Selection

Current Rating (A)	1 Pole	2 Pole	3 Pole	4 Pole
16	MV1P16	MV2P16	MV3P16	MV4P16
20	MV1P20	MV2P20	MV3P20	MV4P20
25	MV1P25	MV2P25	MV3P25	MV4P25
32	MV1P32	MV2P32	MV3P32	MV4P32
40	MV1P40	MV2P40	MV3P40	MV4P40
50	MV1P50	MV2P50	MV3P50	MV4P50
63	MV1P63	MV2P63	MV3P63	MV4P63
80	MV1P80	MV2P80	MV3P80	MV4P80
100	MV1P100	MV2P100	MV3P100	MV4P100
125	MV1P125	MV2P125	MV3P125	MV4P125

Note: For 40°C ambient temperature, add '4' at the end of the Cat. no.

Dimensions



Loadline

MS Frame

Miniature Circuit Breakers - 6kA

Technical Data

- Available
- Not Available

Product Name	MCB 6kA
Frame	MS Frame
Standards	EN/IEC 60898-1
Pole	1P, 2P, 3P, 4P
Tripping Characteristics	B, C & D
Protection	Overload and Short Circuit
Tripping Type	Thermal/Magnetic release
Thermal operating Limit in AC Voltage	(1.13 - 1.45) x In
Thermal operating Limit in DC Voltage	(1.13 - 1.45) x In
Magnetic Operating Limit in AC Voltage	B: (3-5) x In C: (5-10) x In D: (10-20) X In
Magnetic Operating Limit in DC Voltage	B: (4-7) x In C: (7-15) x In
Rated current In	1, 2, 4, 6, 10, 16, 20, 25, 32, 40, 50, 63A
Rated breaking capacity Icn	6kA
Rated insulation voltage Ui (V)	690
Rated Impulse withstand voltage, Uimp (V)	4000V
Rated voltage Ue (V)	
AC single pole Ue	240
AC multi-pole Ue	415
DC single pole Un	220
DC multi-pole Un	440
Frequency Hz	50/60
Accessories	
Auxiliary Contact	▪
Shunt Trip (24 DC, 40V DC, 230 AC)	▪
Alarm Switch	▪
Over/Under Voltage Release	▪
Mechanical endurance	10000
Electrical endurance	4000
Protection degree	IP20
Energy Limiting class	Class 3 4A to 32A Class 1 40A to 63A
Ambient Temperature	
Operating Temperature °C	-5...+50, Max 95% Humidity
Storage Temperature °C	-40...+70
Terminal Type	Lug type and Pin type
Altitude (Meters)	Max, 2000
Installation - DIN-rail Mounting (EN 50022)	Mounting on 35mm DIN rail
Terminal Size mm ²	16mm ² flexible or 25mm ² rigid up to 25A rating 25mm ² flexible or 35mm ² rigid for 32A to 63A rating

Miniature Circuit Breakers - 6kA

Single Pole MCBs

Current Rating (A)	B Type Cat. No.	C Type Cat. No.	D Type Cat. No.
1	MS1PB01	MS1PC01	MS1PD01
2	MS1PB02	MS1PC02	MS1PD02
4	MS1PB04	MS1PC04	MS1PD04
6	MS1PB06	MS1PC06	MS1PD06
10	MS1PB10	MS1PC10	MS1PD10
16	MS1PB16	MS1PC16	MS1PD16
20	MS1PB20	MS1PC20	MS1PD20
25	MS1PB25	MS1PC25	MS1PD25
32	MS1PB32	MS1PC32	MS1PD32
40	MS1PB40	MS1PC40	MS1PD40
50	MS1PB50	MS1PC50	MS1PD50
63	MS1PB63	MS1PC63	MS1PD63



Double Pole MCBs

Current Rating (A)	B Type Cat. No.	C Type Cat. No.	D Type Cat. No.
1	MS2PB01	MS2PC01	MS2PD01
2	MS2PB02	MS2PC02	MS2PD02
4	MS2PB04	MS2PC04	MS2PD04
6	MS2PB06	MS2PC06	MS2PD06
10	MS2PB10	MS2PC10	MS2PD10
16	MS2PB16	MS2PC16	MS2PD16
20	MS2PB20	MS2PC20	MS2PD20
25	MS2PB25	MS2PC25	MS2PD25
32	MS2PB32	MS2PC32	MS2PD32
40	MS2PB40	MS2PC40	MS2PD40
50	MS2PB50	MS2PC50	MS2PD50
63	MS2PB63	MS2PC63	MS2PD63



Note: For 40°C ambient temperature, add '4' at the end of the Cat. no.

Loadline

MS Frame

Miniature Circuit Breakers - 6kA

Triple Pole MCBs

Current Rating (A)	B Type Cat. No.	C Type Cat. No.	D Type Cat. No.
1	MS3PB01	MS3PC01	MS3PD01
2	MS3PB02	MS3PC02	MS3PD02
4	MS3PB04	MS3PC04	MS3PD04
6	MS3PB06	MS3PC06	MS3PD06
10	MS3PB10	MS3PC10	MS3PD10
16	MS3PB16	MS3PC16	MS3PD16
20	MS3PB20	MS3PC20	MS3PD20
25	MS3PB25	MS3PC25	MS3PD25
32	MS3PB32	MS3PC32	MS3PD32
40	MS3PB40	MS3PC40	MS3PD40
50	MS3PB50	MS3PC50	MS3PD50
63	MS3PB63	MS3PC63	MS3PD63



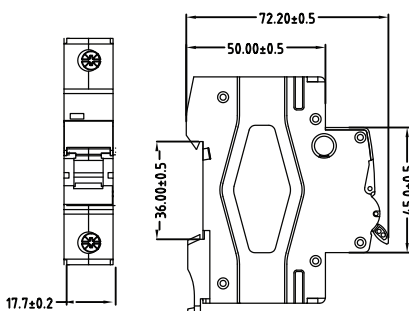
Four Pole MCBs

Current Rating (A)	B Type Cat. No.	C Type Cat. No.	D Type Cat. No.
1	MS4PB01	MS4PC01	MS4PD01
2	MS4PB02	MS4PC02	MS4PD02
4	MS4PB04	MS4PC04	MS4PD04
6	MS4PB06	MS4PC06	MS4PD06
10	MS4PB10	MS4PC10	MS4PD10
16	MS4PB16	MS4PC16	MS4PD16
20	MS4PB20	MS4PC20	MS4PD20
25	MS4PB25	MS4PC25	MS4PD25
32	MS4PB32	MS4PC32	MS4PD32
40	MS4PB40	MS4PC40	MS4PD40
50	MS4PB50	MS4PC50	MS4PD50
63	MS4PB63	MS4PC63	MS4PD63



Note: For 40°C ambient temperature, add '4' at the end of the Cat. no.

Dimensions



- Available
- Not Available

Miniature Circuit Breakers - 10kA

Technical Data

Product Name	MCB 10kA
Frame	MT Frame
Standards	EN/IEC 60898-1
Pole	1P, 2P, 3P, 4P
Tripping Characteristics	B, C & D
Protection	Overload and Short Circuit
Tripping Type	Thermal/Magnetic release
Thermal operating Limit in AC Voltage	(1.13 - 1.45) x In
Thermal operating Limit in DC Voltage	(1.13 - 1.45) x In
Magnetic Operating Limit in AC Voltage	B: (3-5) x In C: (5-10) x In D: (10-20) X In
Magnetic Operating Limit in DC Voltage	B: (4-7) x In C: (7-15) x In
Rated current In	1, 2, 4, 6, 10, 16, 20, 25, 32, 40, 50, 63A
Rated breaking capacity Icn	10kA
Rated insulation voltage Ui (V)	500
Rated Impulse withstand voltage, Uimp (V)	6000V
Rated voltage Ue (V)	
AC single pole Ue	240
AC multi-pole Ue	415
DC single pole Un	220
DC multi-pole Un	440
Frequency Hz	50/60
Accessories	
Auxiliary Contact	▪
Shunt Trip (24 DC, 40V DC, 230 AC)	▪
Alarm Switch	▪
Over/Under Voltage Release	▪
Mechanical endurance	10000
Electrical endurance	4000
Protection degree	IP20
Energy Limiting class	Class 3 4A to 32A Class 1 40A to 63A
Ambient Temperature	
Operating Temperature °C	-5...+50, Max 95% Humidity
Storage Temperature °C	-40...+70
Terminal Type	Lug type and Pin type
Altitude (Meters)	Max, 2000
Installation - DIN-rail Mounting (EN 50022)	Mounting on 35mm DIN rail
Terminal Size mm ²	16mm ² flexible or 25mm ² rigid up to 25A rating 25mm ² flexible or 35mm ² rigid for 32A to 63A rating

Loadline

MT Frame

Miniature Circuit Breakers - 10kA

Single Pole MCBs

Current Rating (A)	B Type Cat. No.	C Type Cat. No.	D Type Cat. No.
1	MT1PB01	MT1PC01	MT1PD01
2	MT1PB02	MT1PC02	MT1PD02
4	MT1PB04	MT1PC04	MT1PD04
6	MT1PB06	MT1PC06	MT1PD06
10	MT1PB10	MT1PC10	MT1PD10
16	MT1PB16	MT1PC16	MT1PD16
20	MT1PB20	MT1PC20	MT1PD20
25	MT1PB25	MT1PC25	MT1PD25
32	MT1PB32	MT1PC32	MT1PD32
40	MT1PB40	MT1PC40	MT1PD40
50	MT1PB50	MT1PC50	MT1PD50
63	MT1PB63	MT1PC63	MT1PD63



Double Pole MCBs

Current Rating (A)	B Type Cat. No.	C Type Cat. No.	D Type Cat. No.
1	MT2PB01	MT2PC01	MT2PD01
2	MT2PB02	MT2PC02	MT2PD02
4	MT2PB04	MT2PC04	MT2PD04
6	MT2PB06	MT2PC06	MT2PD06
10	MT2PB10	MT2PC10	MT2PD10
16	MT2PB16	MT2PC16	MT2PD16
20	MT2PB20	MT2PC20	MT2PD20
25	MT2PB25	MT2PC25	MT2PD25
32	MT2PB32	MT2PC32	MT2PD32
40	MT2PB40	MT2PC40	MT2PD40
50	MT2PB50	MT2PC50	MT2PD50
63	MT2PB63	MT2PC63	MT2PD63



Note: For 40°C ambient temperature, add '4' at the end of the Cat. no.

Miniature Circuit Breakers - 10kA

Triple Pole MCBs

Current Rating (A)	B Type Cat. No.	C Type Cat. No.	D Type Cat. No.
1	MT3PB01	MT3PC01	MT3PD01
2	MT3PB02	MT3PC02	MT3PD02
4	MT3PB04	MT3PC04	MT3PD04
6	MT3PB06	MT3PC06	MT3PD06
10	MT3PB10	MT3PC10	MT3PD10
16	MT3PB16	MT3PC16	MT3PD16
20	MT3PB20	MT3PC20	MT3PD20
25	MT3PB25	MT3PC25	MT3PD25
32	MT3PB32	MT3PC32	MT3PD32
40	MT3PB40	MT3PC40	MT3PD40
50	MT3PB50	MT3PC50	MT3PD50
63	MT3PB63	MT3PC63	MT3PD63



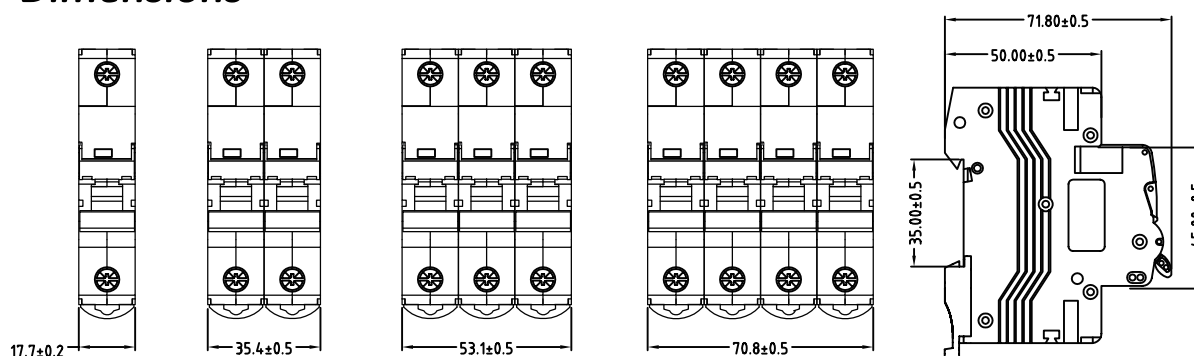
Four Pole MCBs

Current Rating (A)	B Type Cat. No.	C Type Cat. No.	D Type Cat. No.
1	MT4PB01	MT4PC01	MT4PD01
2	MT4PB02	MT4PC02	MT4PD02
4	MT4PB04	MT4PC04	MT4PD04
6	MT4PB06	MT4PC06	MT4PD06
10	MT4PB10	MT4PC10	MT4PD10
16	MT4PB16	MT4PC16	MT4PD16
20	MT4PB20	MT4PC20	MT4PD20
25	MT4PB25	MT4PC25	MT4PD25
32	MT4PB32	MT4PC32	MT4PD32
40	MT4PB40	MT4PC40	MT4PD40
50	MT4PB50	MT4PC50	MT4PD50
63	MT4PB63	MT4PC63	MT4PD63



Note: For 40°C ambient temperature, add '4' at the end of the Cat. no.

Dimensions



MT Frame - Technical Data

 ▪ Available
 - Not Available

Product Name	High Current MCB 10kA
Frame	MT Frame
Standards	EN/IEC 60947-2
Pole	1P, 2P, 3P, 4P
Tripping Characteristics	B, C & D
Protection	Overload and Short Circuit
Tripping Type	Thermal/Magnetic release
Thermal operating Limit in AC Voltage	$(1.05 - 1.30) \times I_n$
Magnetic Operating Limit in AC Voltage	B: $(8-12) \times I_n$
Rated current I_n	32, 40, 50, 63, 80, 100,
Rated breaking capacity I_{cn}	10kA
Rated insulation voltage U_i (V)	690
Rated Impulse withstand voltage, U_{imp} (V)	4000V
Rated voltage U_e (V)	
AC single pole U_e	240
AC multi-pole U_e	415
DC single pole U_n	220
DC multi-pole U_n	440
Frequency Hz	50/60
Utilization category	A
Accessories	
Auxiliary Contact	▪
Shunt Trip (24 DC, 40V DC, 230 AC)	▪
Alarm Switch	▪
Over/Under Voltage Release	▪
Mechanical endurance	7000
Electrical endurance	1000
Protection degree	IP20
Ambient Temperature	
Operating Temperature °C	-5...+50, Max 95% Humidity
Storage Temperature °C	-40...+70
Terminal Type	Pin type
Altitude (Meters)	Max,2000
Installation - DIN-rail Mounting (EN 50022)	Mounting on 35mm DIN rail
Terminal Size mm ²	1.5 to 35mm ² flexible cable 1 to 50mm ² rigid cables

High Current MCBs - 10kA

Single Pole MCBs

Current Rating (A)	B Type Cat. No.	C Type Cat. No.	D Type Cat. No.
32	MT1PB32H	MT1PC32H	MT1PD32H
40	MT1PB40H	MT1PC40H	MT1PD40H
50	MT1PB50H	MT1PC50H	MT1PD50H
63	MT1PB63H	MT1PC63H	MT1PD63H
80	MT1PB80H	MT1PC80H	MT1PD80H
100	MT1PB100H	MT1PC100H	MT1PD100H
125	MT1PB125H	MT1PC125H	MT1PD125H



Double-Pole MCBs

Current Rating (A)	B Type Cat. No.	C Type Cat. No.	D Type Cat. No.
32	MT2PB32H	MT2PC32H	MT2PD32H
40	MT2PB40H	MT2PC40H	MT2PD40H
50	MT2PB50H	MT2PC50H	MT2PD50H
63	MT2PB63H	MT2PC63H	MT2PD63H
80	MT2PB80H	MT2PC80H	MT2PD80H
100	MT2PB100H	MT2PC100H	MT2PD100H
125	MT2PB125H	MT2PC125H	MT2PD125H



Triple Pole MCBs

Current Rating (A)	B Type Cat. No.	C Type Cat. No.	D Type Cat. No.
32	MT3PB32H	MT3PC32H	MT3PD32H
40	MT3PB40H	MT3PC40H	MT3PD40H
50	MT3PB50H	MT3PC50H	MT3PD50H
63	MT3PB63H	MT3PC63H	MT3PD63H
80	MT3PB80H	MT3PC80H	MT3PD80H
100	MT3PB100H	MT3PC100H	MT3PD100H
125	MT3PB125H	MT3PC125H	MT3PD125H



Note: For 40°C ambient temperature, add '4' at the end of the Cat. no.

Loadline

MT Frame

High Current MCBs - 10kA

Four Pole MCBs

Current Rating (A)	B Type Cat. No.	C Type Cat. No.	D Type Cat. No.
32	MT4PB32H	MT4PC32H	MT4PD32H
40	MT4PB40H	MT4PC40H	MT4PD40H
50	MT4PB50H	MT4PC50H	MT4PD50H
63	MT4PB63H	MT4PC63H	MT4PD63H
80	MT4PB80H	MT4PC80H	MT4PD80H
100	MT4PB100H	MT4PC100H	MT4PD100H
125	MT4PB125H	MT4PC125H	MT4PD125H

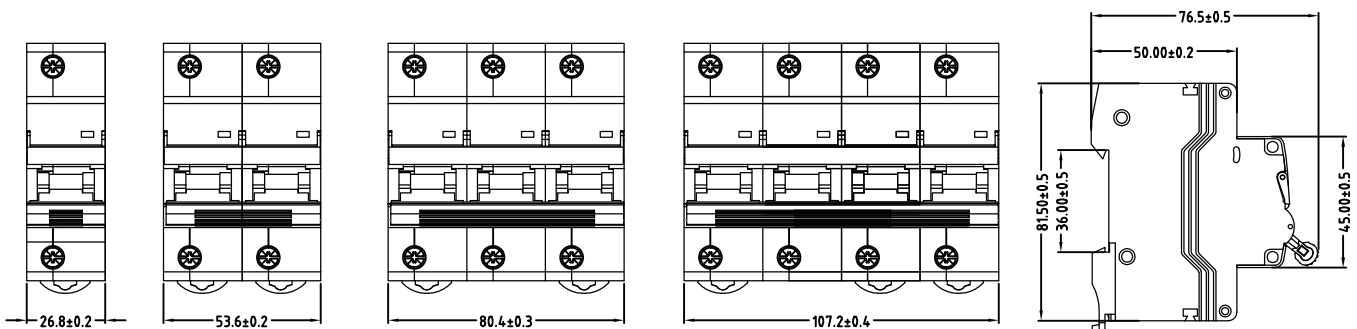


Note: For 40°C ambient temperature, add '4' at the end of the Cat. no.

Accessories for MCBs

Cat. No.	Description
M6AL	Alarm switch 6kA MCB
M6AUX	Auxillary switch 6kA MCB
M6UVR	Undervoltage Release 6kA MCB
M6ST	Shunt Trip 6kA MCB
M6PDL	Padlock for 6kA MCB
MAL	Alarm switch 6kA MCB
MAUX	Auxillary switch 6kA MCB
MUVR	Undervoltage Release 6kA MCB
MST	Shunt Trip 6kA MCB
MPDL	Padlock for 6kA MCB

Dimensions



- Available
- Not Available

Residual Current Circuit Breakers

Technical Data

Product Name	RCCB
Frame	ME Frame
Standards	EN/IEC 61008-1
Pole	1P+N, 3P+N
Behavior to d.c, components	Type AC
Protection	Earth Leakage
Tripping Type	Electro-magnetic release
Rated current In	16, 20, 25, 32, 40, 50, 63, 80, 100A
Rated Sensitivity current I Δ n	10mA for 16A to 25A, 30mA, 100mA, 300mA for 16A to 100A
Rated conditional short-circuit Current Inc	10kA
Rated residual making and breaking capacity I Δ m	500A for In=16, 25, 32, 40A 10 x In for 63, 80, 100A
Rated residual non-operating current I Δ n	0.5 x I Δ n
Rated residual current off-time at I Δ n	\pm 0.1s
Rated Impulse withstand voltage, Uimp (V)	4000V
Transient Voltage protection	Equipped with transient suppression filter
Rated voltage Ue (V)	
AC two pole Ue	240
AC four pole Ue	415
Frequency Hz	50/60
Accessories	
Mechanical endurance	2000
Electrical endurance	1000
Protection degree	IP20
Ambient Temperature	
Operating Temperature °C	-25...+50, Max 95% Humidity
Storage Temperature °C	-40...+70
Terminal Type	Lug type and Pin type
Altitude (Meters)	Max, 2000
Installation - DIN-rail Mounting (EN 50022)	Mounting on 35mm DIN rail
Terminal Size mm ²	Cables up to 35mm ²

Loadline

ME Frame

Residual Current Circuit Breakers

Two Pole RCCBs

Current	Sensitivity	Type	Cat. No.
16	10	AC	ME16/10/2
25	10	AC	ME25/10/2
16	30	AC	ME16/30/2
25	30	AC	ME25/30/2
32	30	AC	ME32/30/2
40	30	AC	ME40/30/2
63	30	AC	ME63/30/2
80	30	AC	ME80/30/2
80	30	AC	ME100/30/2
16	100	AC	ME16/100/2
25	100	AC	ME25/100/2
32	100	AC	ME32/100/2
40	100	AC	ME40/100/2
63	100	AC	ME63/100/2
80	100	AC	ME80/100/2
80	100	AC	ME100/100/2
16	300	AC	ME16/300/2
25	300	AC	ME25/300/2
32	300	AC	ME32/300/2
40	300	AC	ME40/300/2
63	300	AC	ME63/300/2
80	300	AC	ME80/300/2
100	300	AC	ME100/300/2



Note: For 40°C ambient temperature, add '4' at the end of the Cat. no.

Residual Current Circuit Breakers

Four Pole RCCBs

Current Rating (A)	Sensitivity	Type	Cat. No.
16	10	AC	ME16/10/4
25	10	AC	ME25/10/4
16	30	AC	ME16/30/4
25	30	AC	ME25/30/4
32	30	AC	ME32/30/4
40	30	AC	ME40/30/4
63	30	AC	ME63/30/4
80	30	AC	ME80/30/4
80	30	AC	ME100/30/4
16	100	AC	ME16/100/4
25	100	AC	ME25/100/4
32	100	AC	ME32/100/4
40	100	AC	ME40/100/4
63	100	AC	ME63/100/4
80	100	AC	ME80/100/4
80	100	AC	ME100/100/4
16	300	AC	ME16/300/4
25	300	AC	ME25/300/4
32	300	AC	ME32/300/4
40	300	AC	ME40/300/4
63	300	AC	ME63/300/4
80	300	AC	ME80/300/4
100	300	AC	ME100/300/4



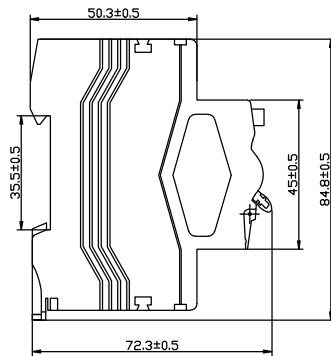
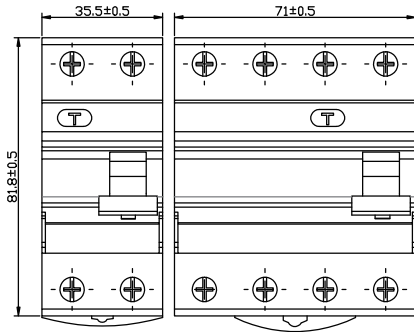
Note: For 40°C ambient temperature, add '4' at the end of the Cat. no.

Loadline

ME Frame

Residual Current Circuit Breakers

Dimensions:



Residual Circuit Breaker with Overload

Technical Data

- Available
- Not Available

Product Name	RCBOs
Frame	MR Frame
Standards	EN/IEC 61009-1
Pole	1P+N 1 Module
Tripping Characteristics	B & C
Behavior to d.c, components	Type AC
Protection	Overload, Short Circuit & Earth Leakage
Tripping Type	Electronic
Magnetic Operating Limit in AC Voltage	B: (3-5) x I _n : (5-10) x I _n
Rated current I _n	6, 10, 16, 20, 25, 32, 40, 50A
Rated Sensitivity current I _{Δn}	10mA, 30mA, 100mA, 300mA
Rated breaking capacity I _{cn}	6kA & 10kA
Rated residual making and breaking capacity I _{Δm}	500A
Rated residual current off-time at I _{Δn}	± 0.1s
Rated Impulse withstand voltage, U _{imp} (V)	4000V
Rated voltage U _e (V)	
AC single pole U _e	240
Frequency Hz	50/60
Accessories	
Mechanical endurance	20000
Electrical endurance	10000
Protection degree	IP20
Energy Limiting class	Class 3
Ambient Temperature	
Operating Temperature °C	-25...+50, Max 95% Humidity
Storage Temperature °C	-40...+70
Terminal Type	Lug type and Pin type
Altitude (Meters)	Max, 2000
Installation - DIN-rail Mounting (EN 50022)	Mounting on 35mm DIN rail
Terminal Size mm ²	16mm ² flexible cable 25mm ² rigid cables

Loadline

MR Frame

Residual Circuit Breaker with Overload

6kA Single Module

Current Rating (A)	Sensitivity	Type	B Type Cat. No.	C Type Cat. No.
6	10	AC	MR1PSB0610	MR1PSC0610
10	10	AC	MR1PSB1010	MR1PSC1010
16	10	AC	MR1PSB1610	MR1PSC1610
20	10	AC	MR1PSB2010	MR1PSC2010
25	10	AC	MR1PSB2510	MR1PSC2510
32	10	AC	MR1PSB3210	MR1PSC3210
40	10	AC	MR1PSB4010	MR1PSC4010
50	10	AC	MR1PSB5010	MR1PSC5010
6	30	AC	MR1PSB0630	MR1PSC0630
10	30	AC	MR1PSB1030	MR1PSC1030
16	30	AC	MR1PSB1630	MR1PSC1630
20	30	AC	MR1PSB2030	MR1PSC2030
25	30	AC	MR1PSB2530	MR1PSC2530
32	30	AC	MR1PSB3230	MR1PSC3230
40	30	AC	MR1PSB4030	MR1PSC4030
50	30	AC	MR1PSB5030	MR1PSC5030
6	100	AC	MR1PSB06100	MR1PSC06100
10	100	AC	MR1PSB10100	MR1PSC10100
16	100	AC	MR1PSB16100	MR1PSC16100
20	100	AC	MR1PSB20100	MR1PSC20100
25	100	AC	MR1PSB25100	MR1PSC25100
32	100	AC	MR1PSB32100	MR1PSC32100
40	100	AC	MR1PSB40100	MR1PSC40100
50	100	AC	MR1PSB50100	MR1PSC50100

Note: For 40°C ambient temperature, add '4' at the end of the Cat. no.



Residual Circuit Breaker with Overload

10kA Single Module

Current Rating (A)	Sensitivity	Type	B Type Cat. No.	C Type Cat. No.
6	10	AC	MR1PTB0610	MR1PTC0610
10	10	AC	MR1PTB1010	MR1PTC1010
16	10	AC	MR1PTB1610	MR1PTC1610
20	10	AC	MR1PTB2010	MR1PTC2010
25	10	AC	MR1PTB2510	MR1PTC2510
32	10	AC	MR1PTB3210	MR1PTC3210
40	10	AC	MR1PTB4010	MR1PTC4010
50	10	AC	MR1PTB5010	MR1PTC5010
6	30	AC	MR1PTB0630	MR1PTC0630
10	30	AC	MR1PTB1030	MR1PTC1030
16	30	AC	MR1PTB1630	MR1PTC1630
20	30	AC	MR1PTB2030	MR1PTC2030
25	30	AC	MR1PTB2530	MR1PTC2530
32	30	AC	MR1PTB3230	MR1PTC3230
40	30	AC	MR1PTB4030	MR1PTC4030
50	30	AC	MR1PTB5030	MR1PTC5030
6	100	AC	MR1PTB06100	MR1PTC06100
10	100	AC	MR1PTB10100	MR1PTC10100
16	100	AC	MR1PTB16100	MR1PTC16100
20	100	AC	MR1PTB20100	MR1PTC20100
25	100	AC	MR1PTB25100	MR1PTC25100
32	100	AC	MR1PTB32100	MR1PTC32100
40	100	AC	MR1PTB40100	MR1PTC40100
50	100	AC	MR1PTB50100	MR1PTC50100



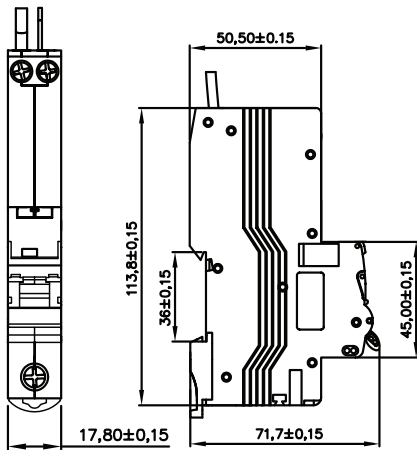
Note: For 40°C ambient temperature, add '4' at the end of the Cat. no.

Loadline

MR Frame

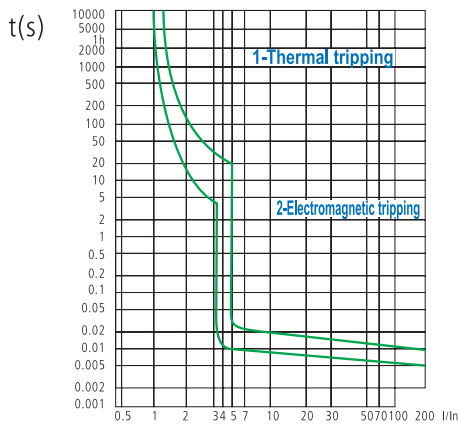
Residual Circuit Breaker with Overload

Dimensions

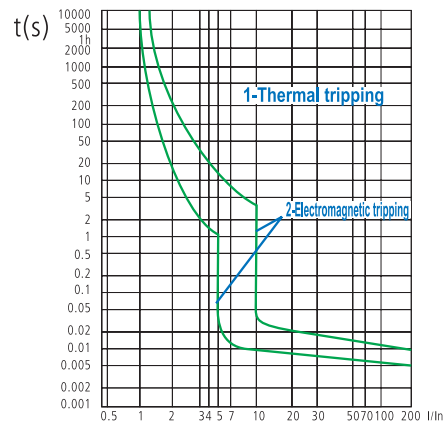


Characteristic Curves

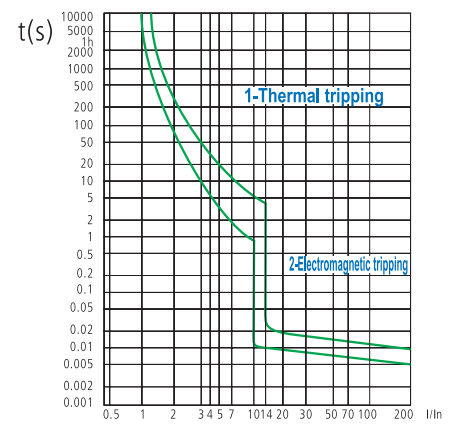
MS Frame



B type

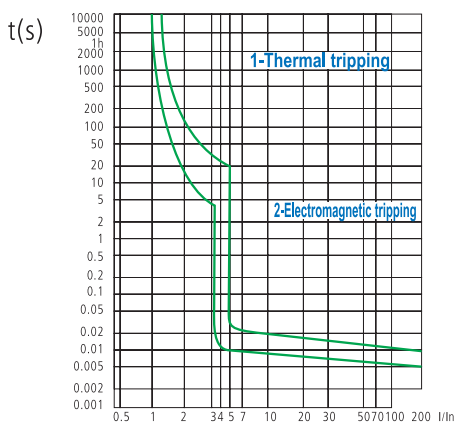


C type

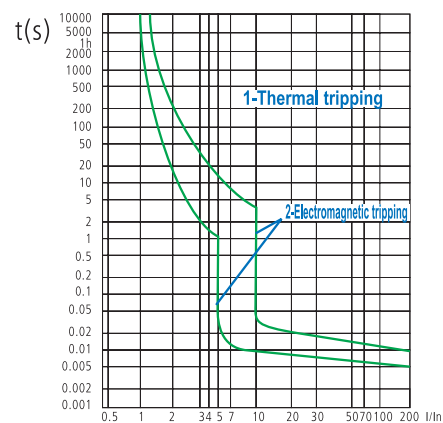


D type

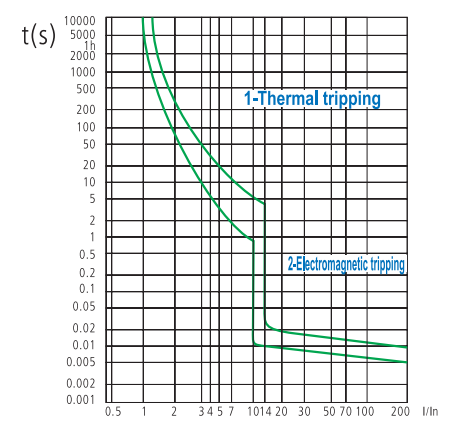
MT Frame



B type

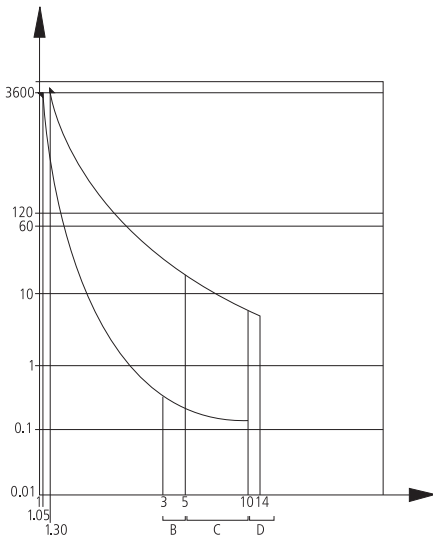
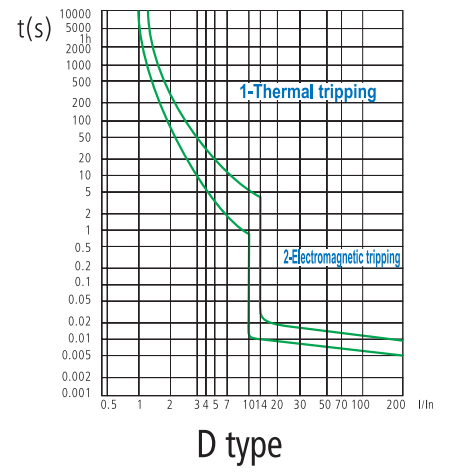
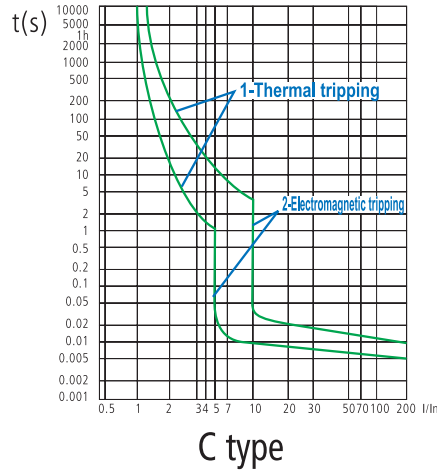
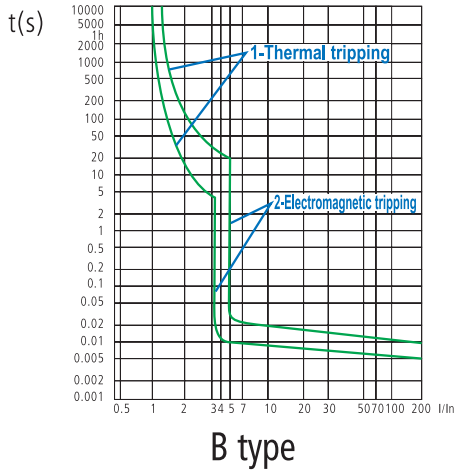


C type



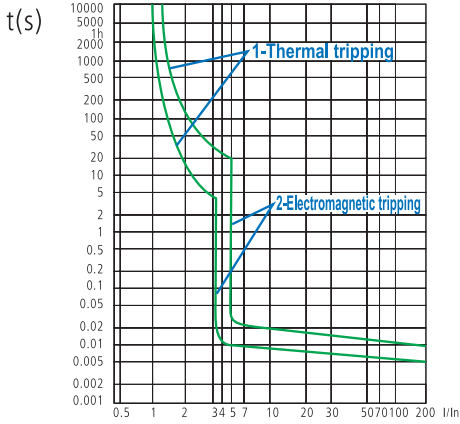
D type

High Current MT Frame

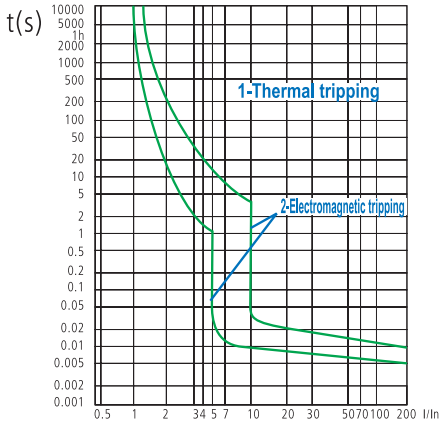


Characteristic Curves

MR Frame



B type



C type



Loadline

M Frame

**BRAINTREE, UK**

Dorman Smith Switchgear Limited
8 Swinbourne Drive
Springwood Industrial Estate
Braintree, Essex
CM7 2YG
Tel: +44 (0) 844 225 1063
Fax: +44 (0) 844 225 1064
Email: sales@dormansmith.co.uk
www.dormansmithswitchgear.com

PRESTON, UK

Dorman Smith Switchgear Limited
1 Nile Close
Nelson Court Business Centre
Ashton on Ribble
Preston, Lancashire
PR2 2XU
Tel: +44 (0) 1772 325380
Fax: +44 (0) 1772 325385
Email: sales@dormansmith.co.uk
www.dormansmithswitchgear.com

DUBAI, U.A.E.

Dorman Smith Switchgear LLC
P.O. Box 12872
Dubai
U.A.E.
Tel: +971 4 3470226
Fax: +971 4 3470002
Email: info@dormansmith.co.uk
www.dormansmithswitchgear.com

DOHA, QATAR

Dorman Smith Switchgear WLL
P.O. Box 40249
Doha
Qatar
Tel: +974 55717161
Fax: +974 44514989

MUSCAT, OMAN

Dorman Smith Switchgear
P.O. Box 143, P.C. 101
Al Wattayah
Sultanate of Oman
Tel: +968 24562534/24562394
Fax: +968 24562830

For further information or to request one of our product catalogues please contact us from the information above. E&OA. Whilst every effort has been made to ensure accuracy, no liability is accepted for the consequences of any error or omissions in this catalogue. Dorman Smith Switchgear Ltd. reserve the right to change or amend any technical specification or product detail without prior notification.